

BIM & CAD solutions for the AEC Industry

For : Architects Engineers Contractors Surveyors Owners

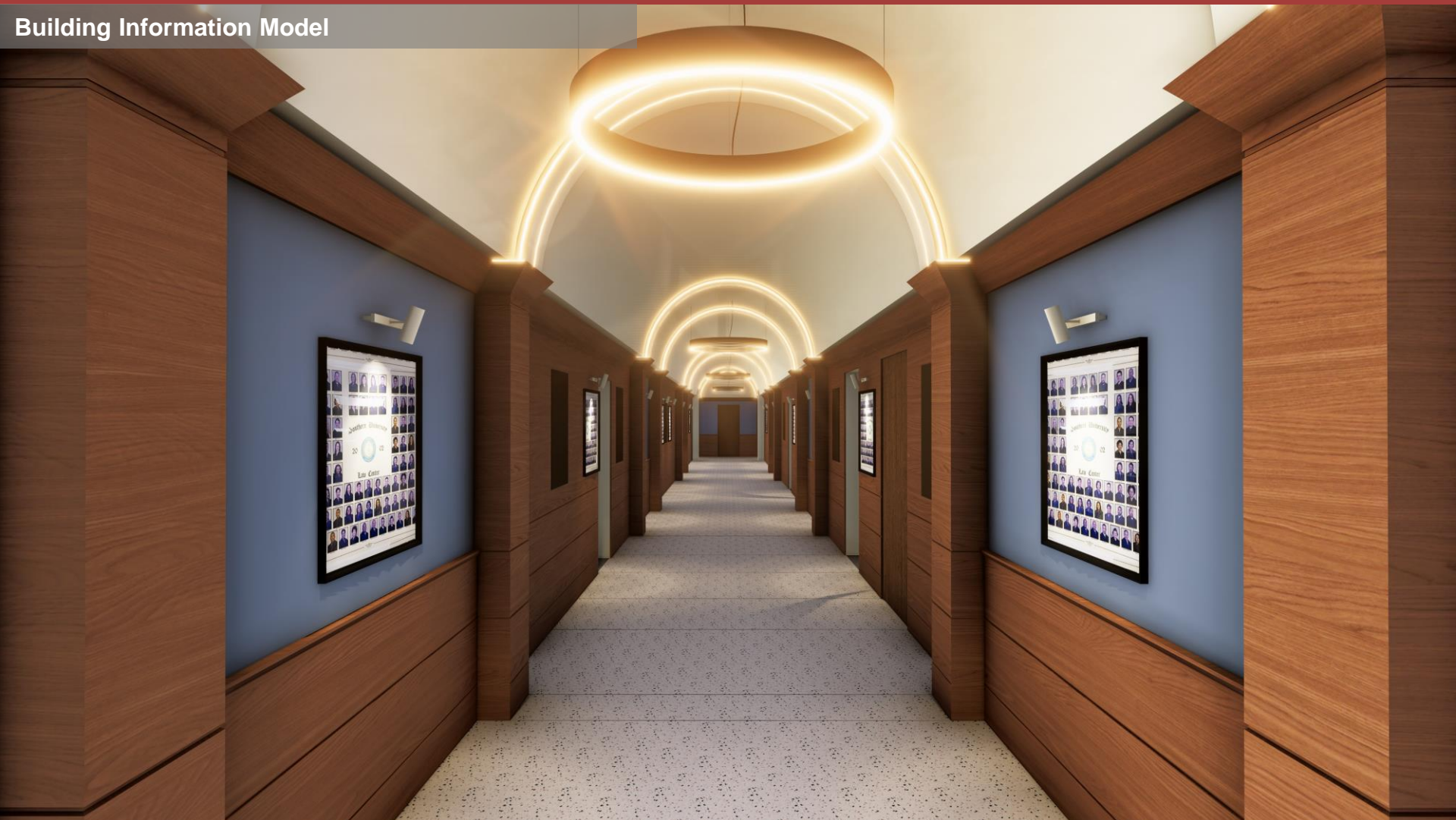
✉ info@qualitasae.com

📞 US : 516 360 2509

📞 India : +91 9051353736

Interiors : Work Samples

Building Information Model



BIM & CAD solutions for the AEC Industry

For : Architects Engineers Contractors Surveyors Owners

✉ info@qualitasae.com

📞 US : 516 360 2509

📞 India : +91 9051353736

Interiors : Work Samples

Building Information Model



BIM & CAD solutions for the AEC Industry

For : Architects Engineers Contractors Surveyors Owners

✉ info@qualitasae.com

📞 US : 516 360 2509

📞 India : +91 9051353736

Interiors : Work Samples

Building Information Model



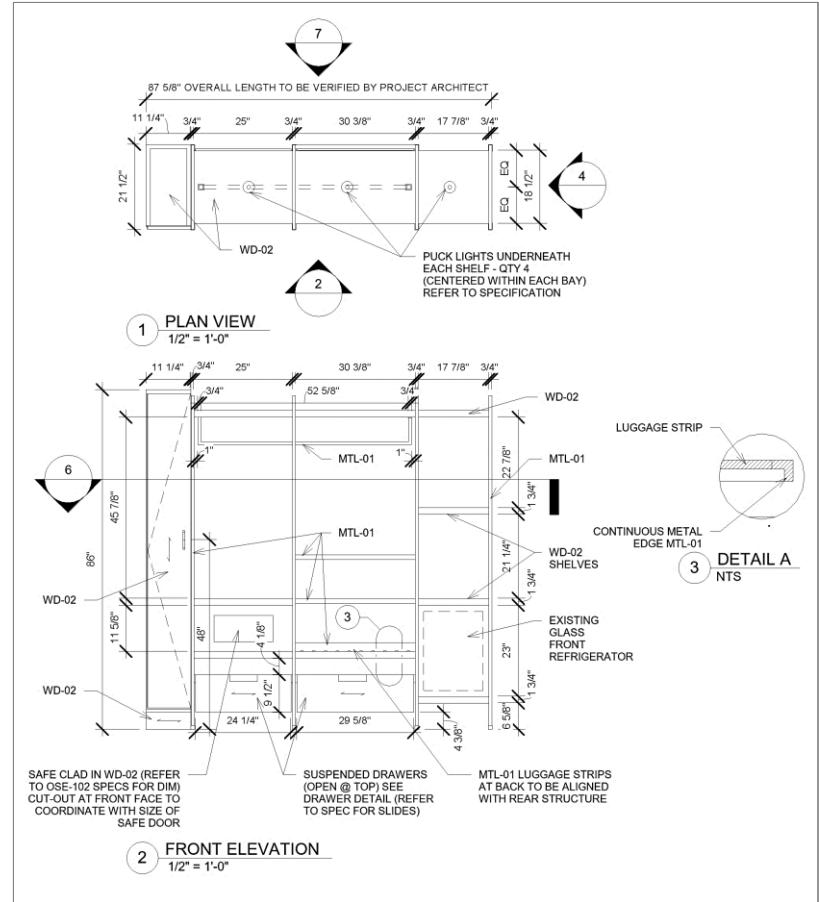
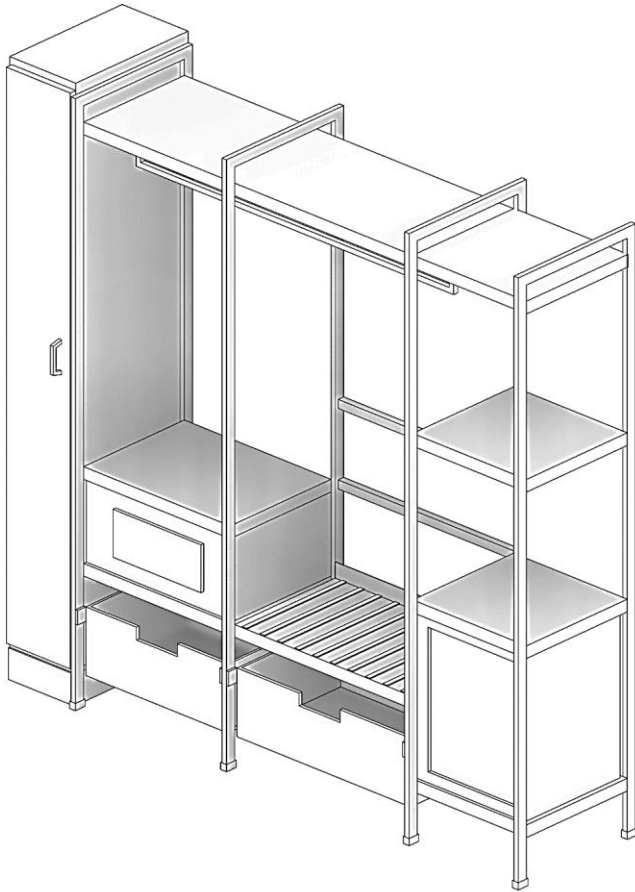
BIM & CAD solutions for the AEC Industry

For : Architects Engineers Contractors Surveyors Owners

✉ info@qualitasae.com 📞 US : 516 360 2509 📞 India : +91 9051353736

Interiors : Work Samples

Revit Family



BIM & CAD solutions for the AEC Industry

For : Architects Engineers Contractors Surveyors Owners

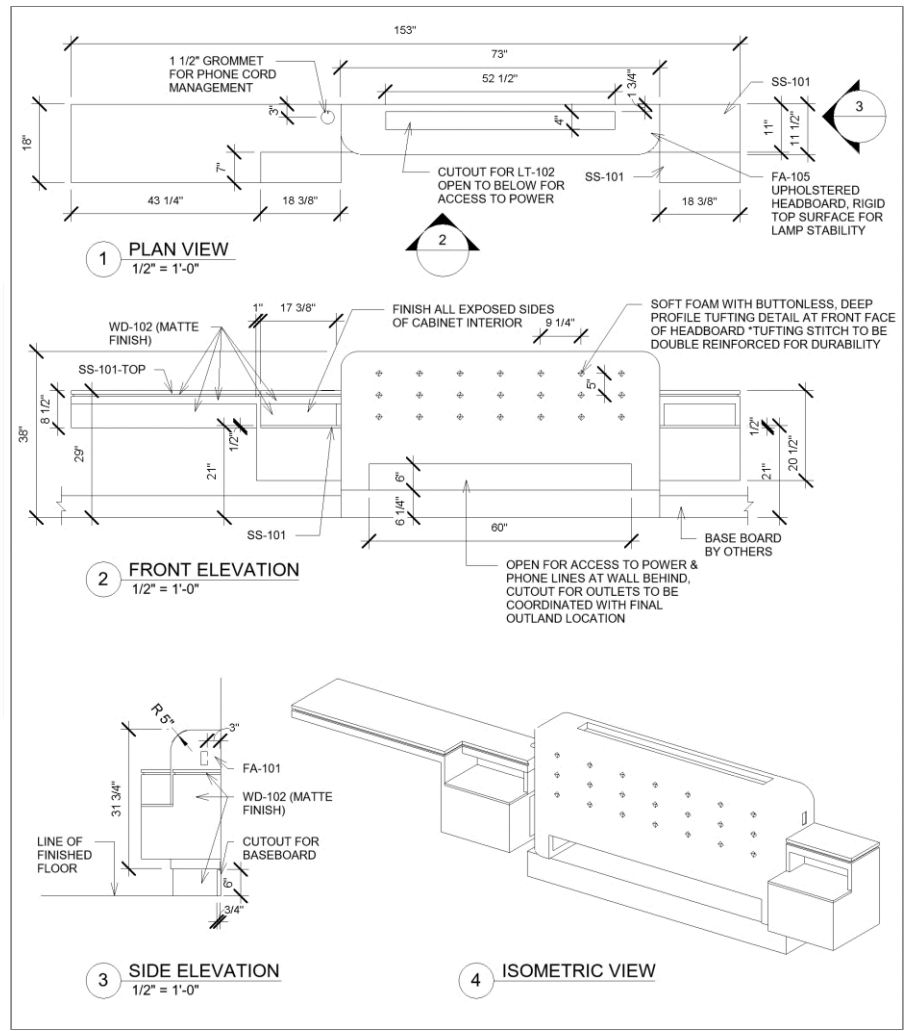
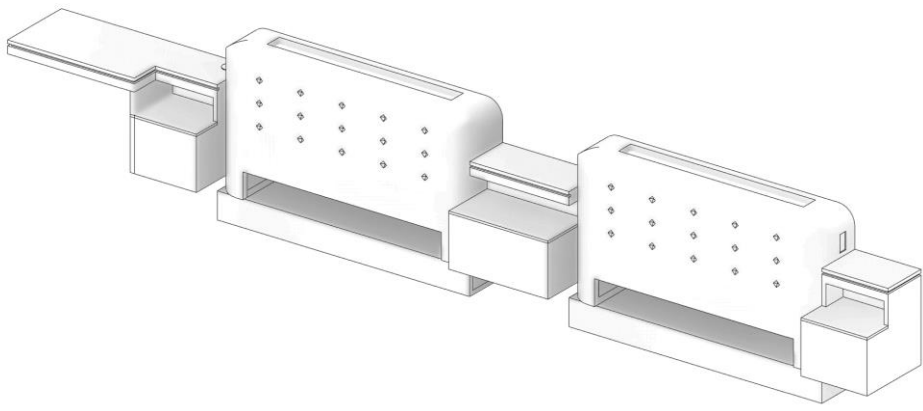
info@qualitasae.com

US : 516 360 2509

India : +91 9051353736

Interiors : Work Samples

Revit Family



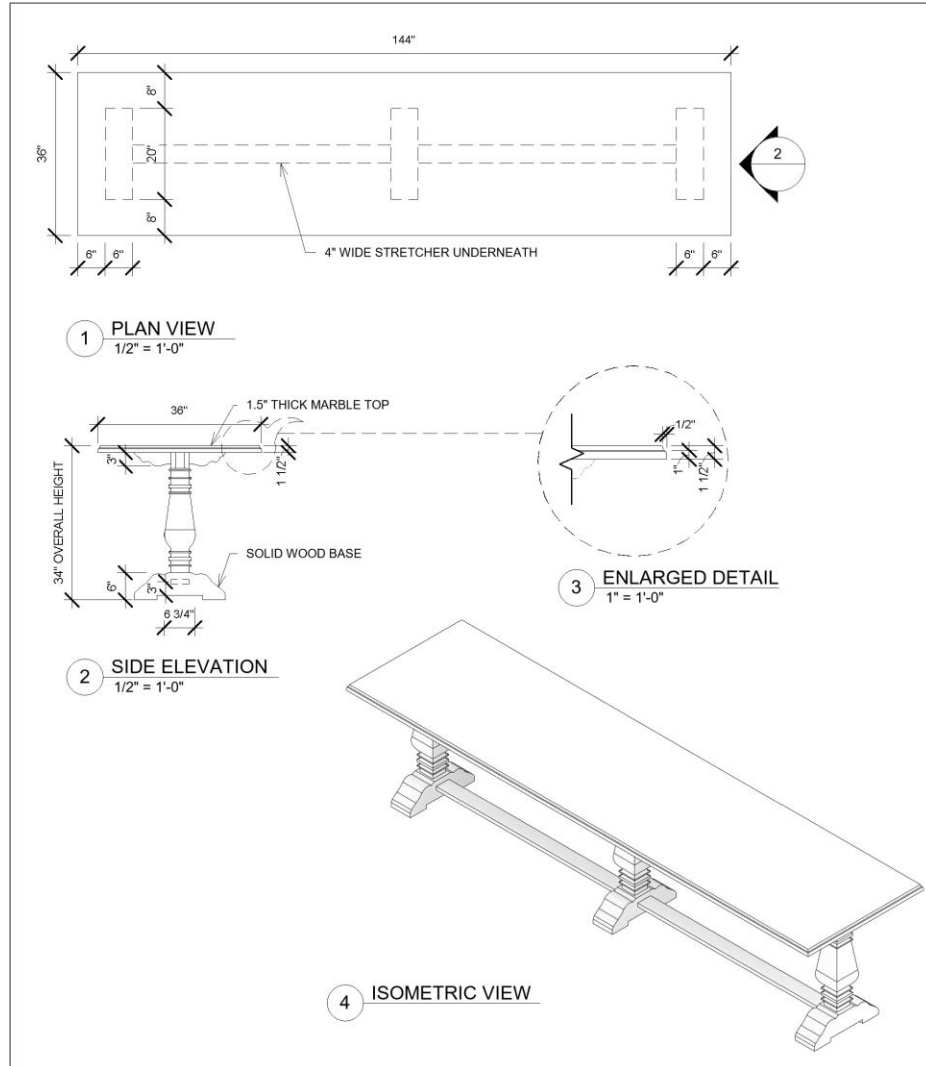
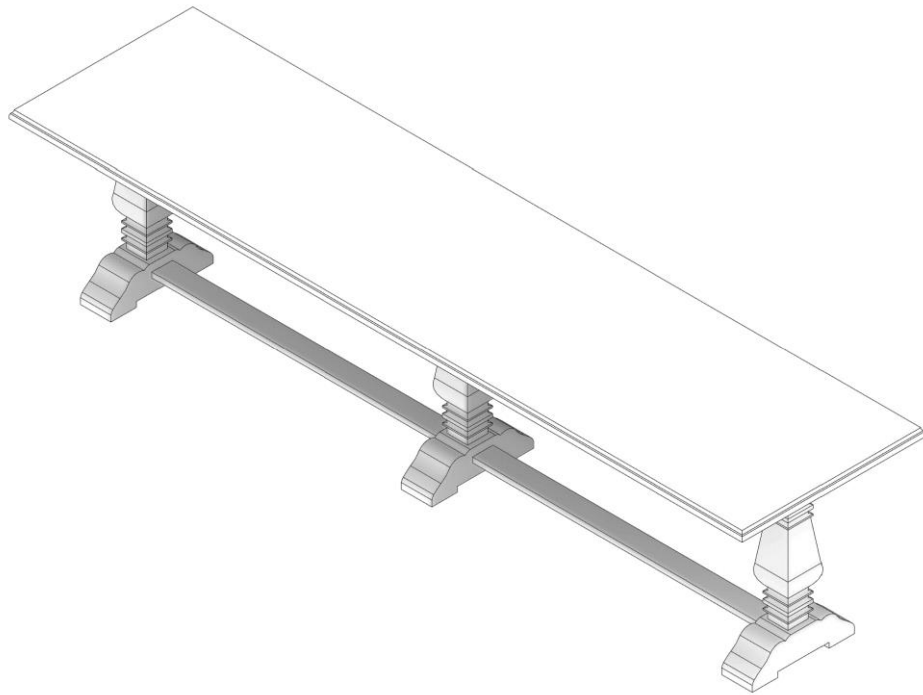
BIM & CAD solutions for the AEC Industry

For : Architects Engineers Contractors Surveyors Owners

✉ info@qualitasae.com 📞 US : 516 360 2509 📞 India : +91 9051353736

Interiors : Work Samples

Revit Family



BIM & CAD solutions for the AEC Industry

For : Architects Engineers Contractors Surveyors Owners

✉ info@qualitasae.com

📞 US : 516 360 2509

📞 India : +91 9051353736

Interiors : Work Samples

Revit Family



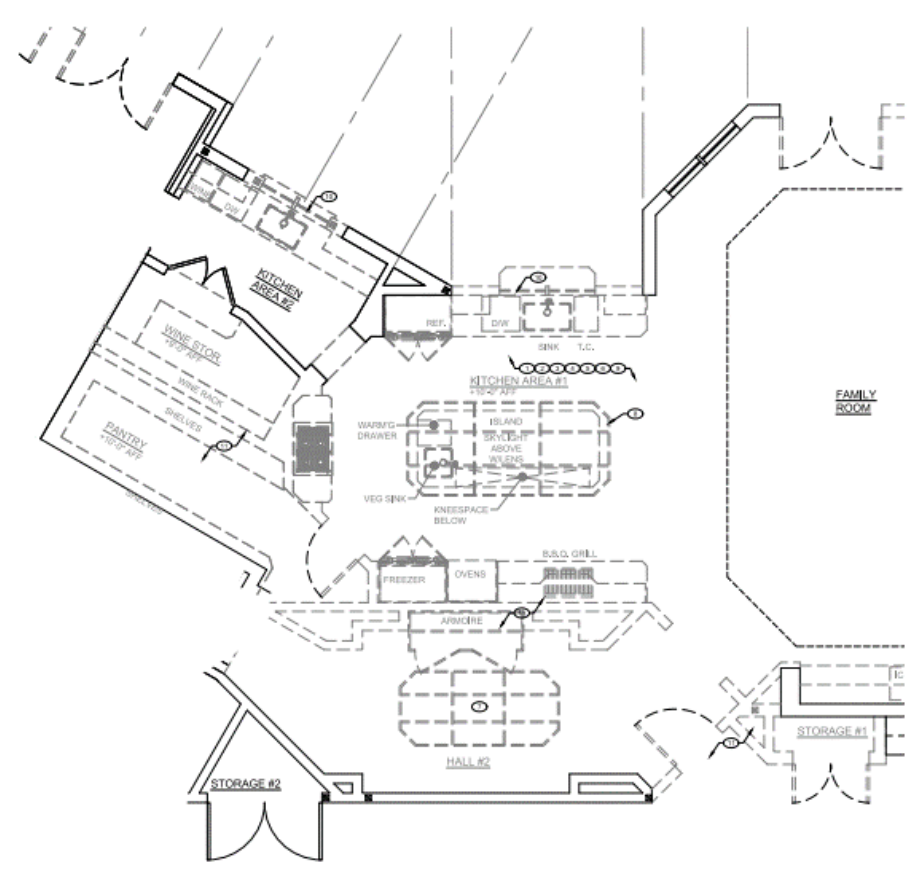
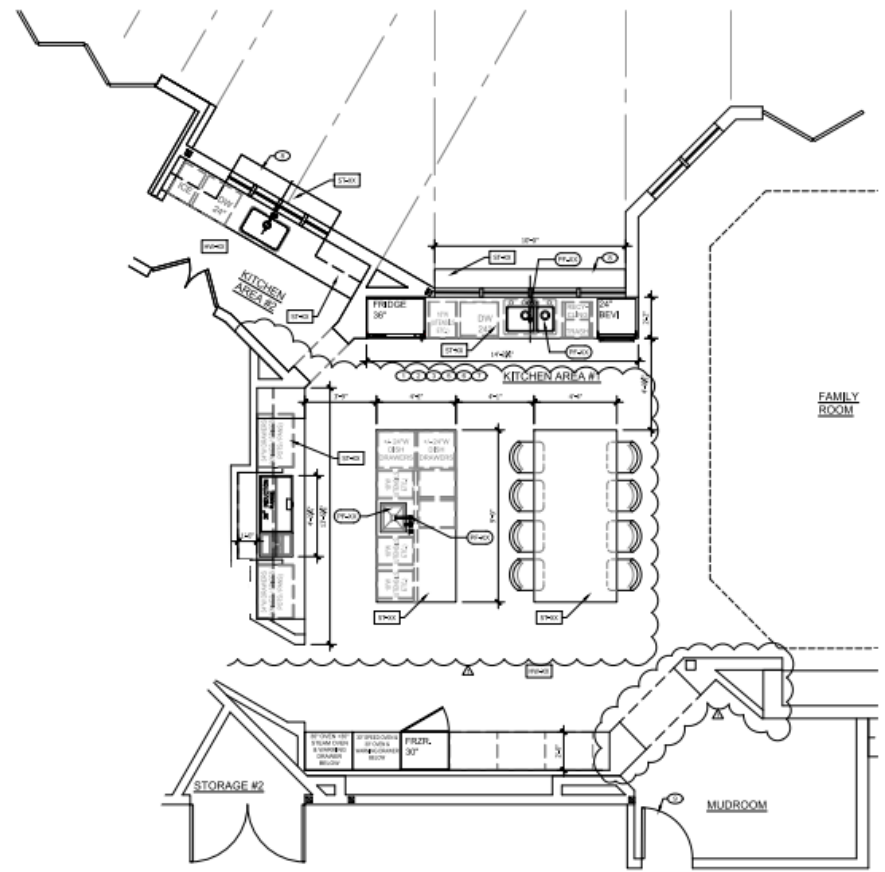
BIM & CAD solutions for the AEC Industry

For : Architects Engineers Contractors Surveyors Owners

✉ info@qualitasae.com 📞 US : 516 360 2509 📞 India : +91 9051353736

Interiors : Work Samples

Construction & Demolition Plans



BIM & CAD solutions for the AEC Industry

For : Architects Engineers Contractors Surveyors Owners

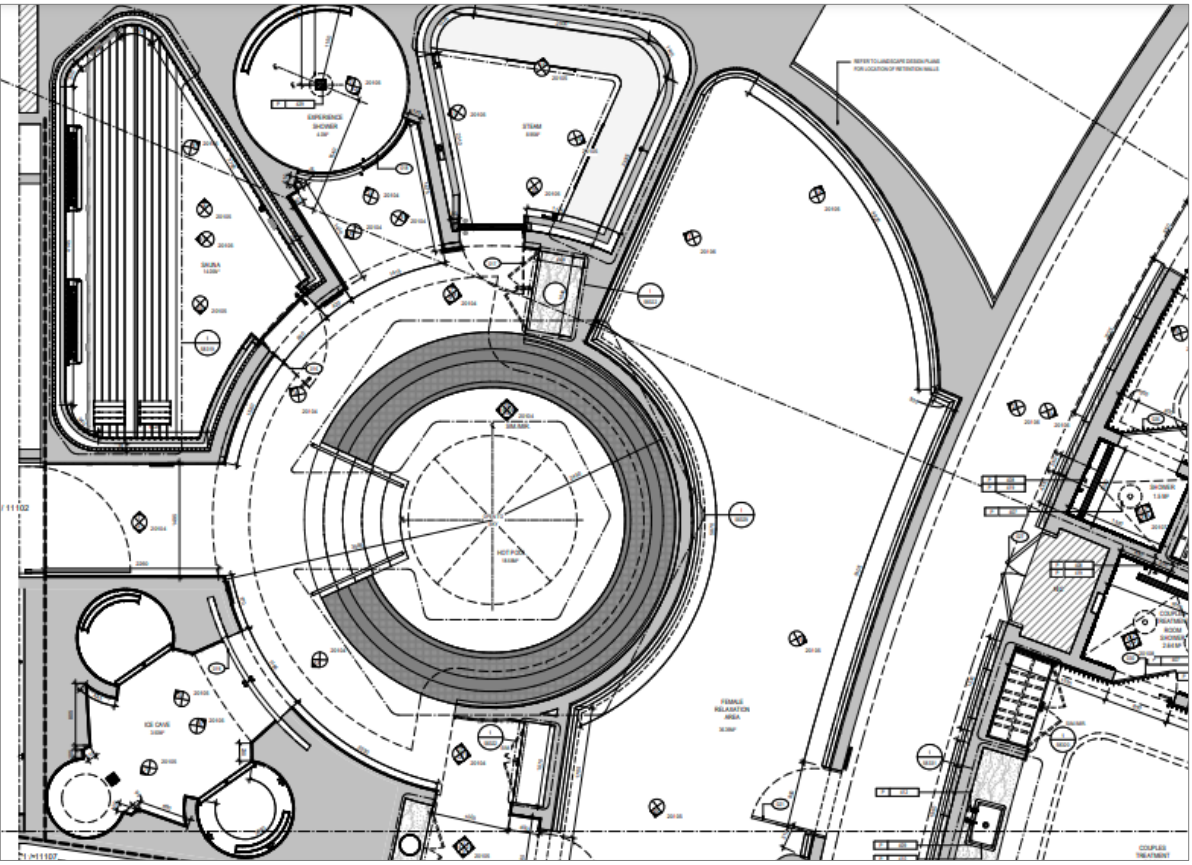
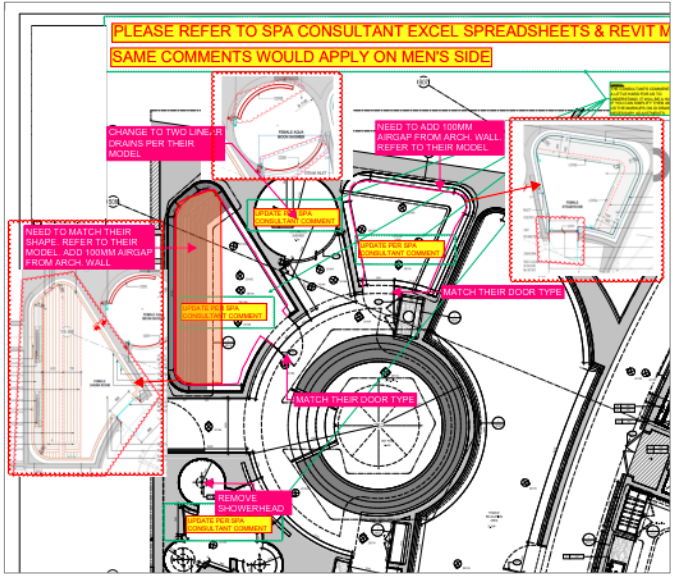
✉ info@qualitasae.com

📞 US : 516 360 2509

📞 India : +91 9051353736

Interiors : Work Samples

Redline pick-up



BIM & CAD solutions for the AEC Industry

For : Architects Engineers Contractors Surveyors Owners

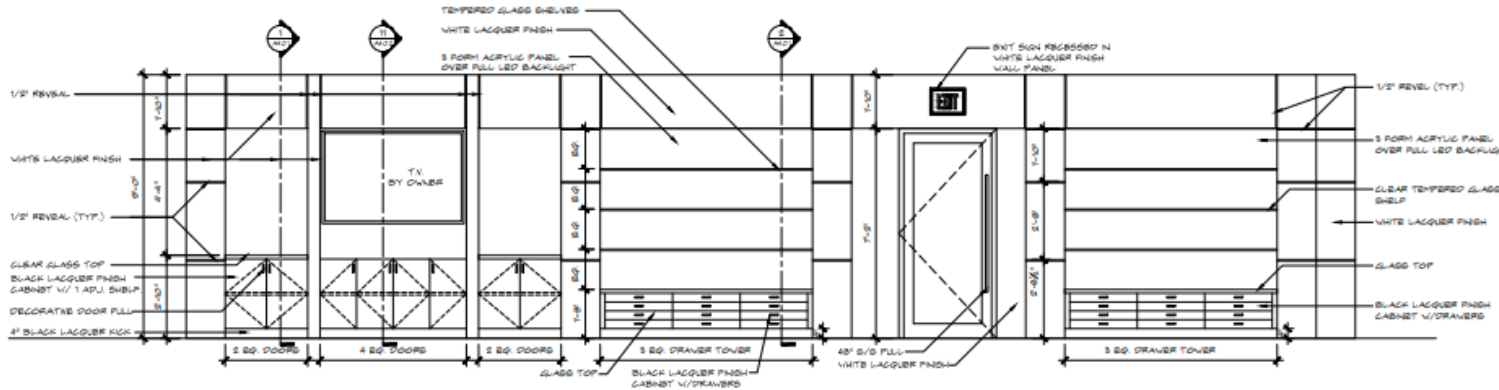
✉ info@qualitasae.com

🇺🇸 US : 516 360 2509

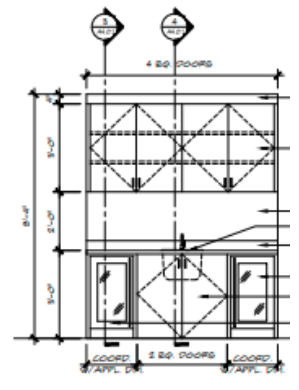
🇮🇳 India : +91 9051353736

Interiors : Work Samples

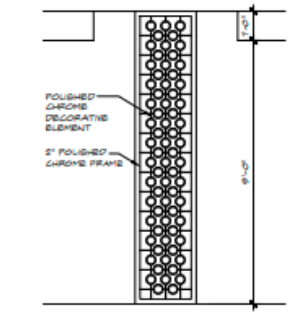
Interior Elevations



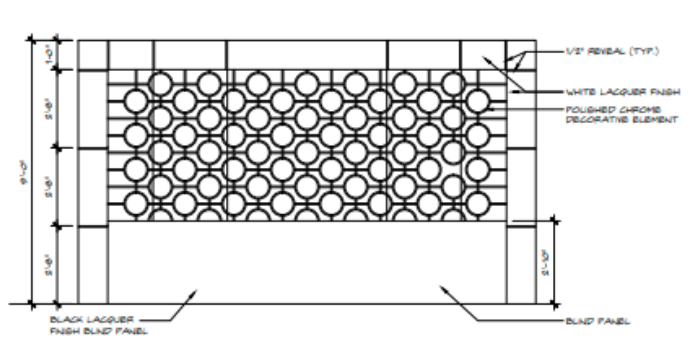
1 INTERIOR ELEVATION
LOUNGE AND RETAIL DISPLAY - ROOM 180A
SCALE: 3/8"=1'-0"



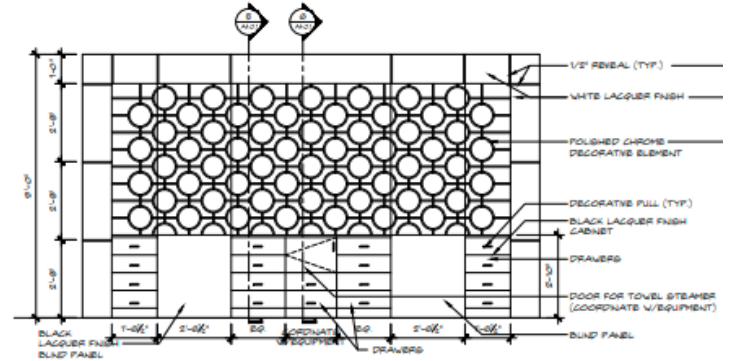
2 INTERIOR ELEVATION
PRIVATE ROOM - RC
SCALE: 3/8"=1'-0"



3A INTERIOR ELEVATION
PEDICURE - ROOM 180K
SCALE: 3/8"=1'-0"



4 INTERIOR ELEVATION
SALON/NAILS DIVIDER - ROOM 180
SCALE: 3/8"=1'-0"



4A INTERIOR ELEVATION
SALON/NAILS DIVIDER - ROOM 180
SCALE: 3/8"=1'-0"

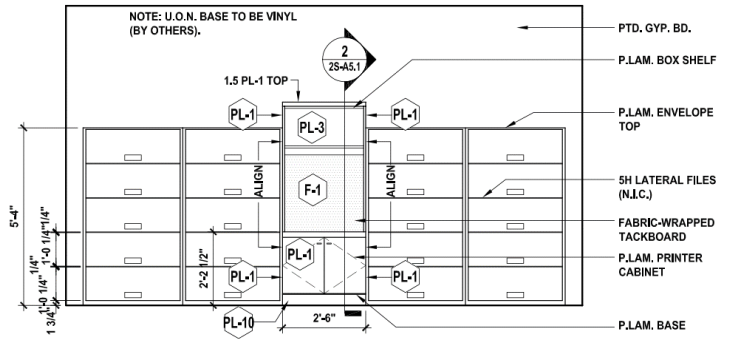
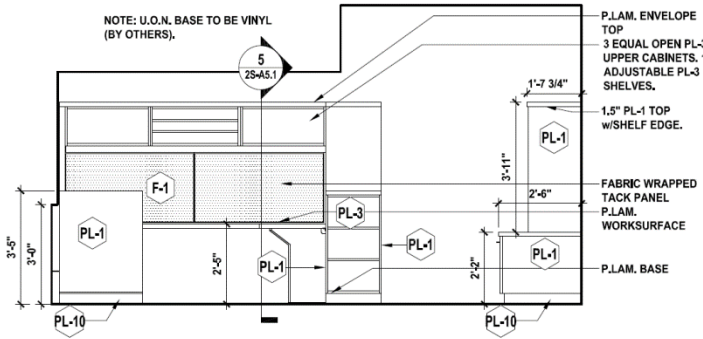
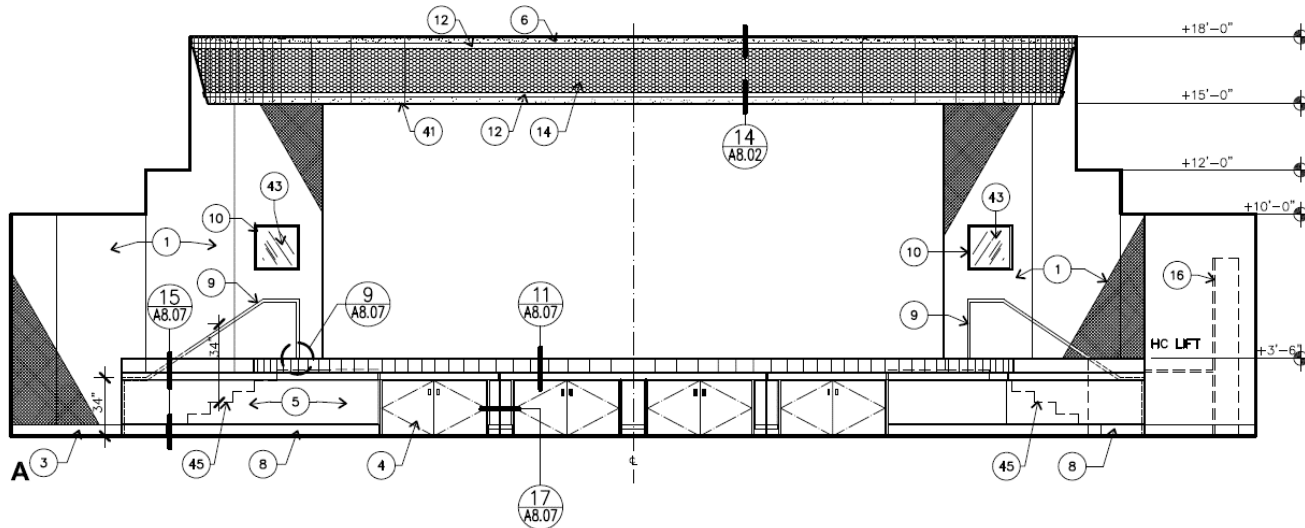
BIM & CAD solutions for the AEC Industry

For : Architects Engineers Contractors Surveyors Owners

✉ info@qualitasae.com 📍 US : 516 360 2509 📍 India : +91 9051353736

Interiors : Work Samples

Interior Elevations



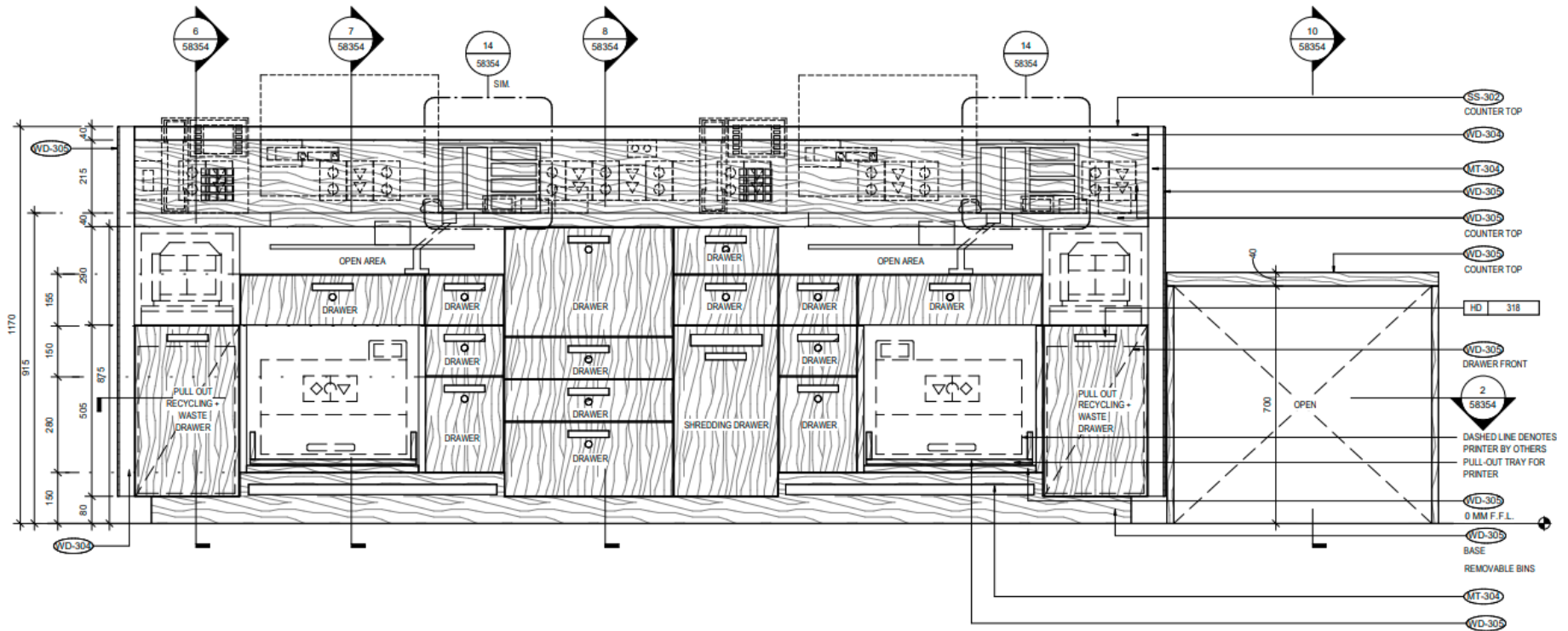
BIM & CAD solutions for the AEC Industry

For : Architects Engineers Contractors Surveyors Owners

✉ info@qualitasae.com 📞 US : 516 360 2509 📞 India : +91 9051353736

Interiors : Work Samples

Interior Elevations



4 RECEPTION DESK DETAILS - BACK ELEVATION
SCALE: 1 : 10